



3GVisions Technology Ltd.

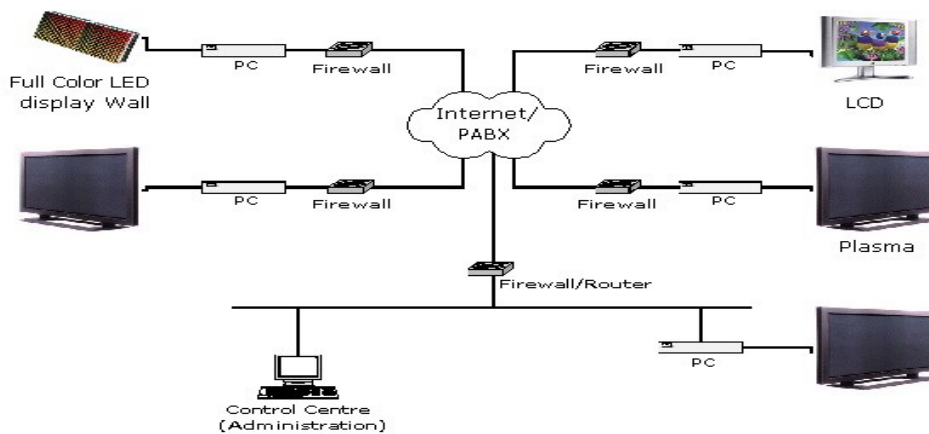
Display Content Management System (DCMS)

Product Description:

3GVisions DCMS is a software system which can operate multiple display units (Plasma, LCD displays, LCD projectors and video walls) remotely across a LAN, WAN, internet and Wireless LAN. It can control multiple display units located in different parts of the building or across the city from your desktop PC. With 3GVisions Multi Media DCS on line and program contents can display immediately.

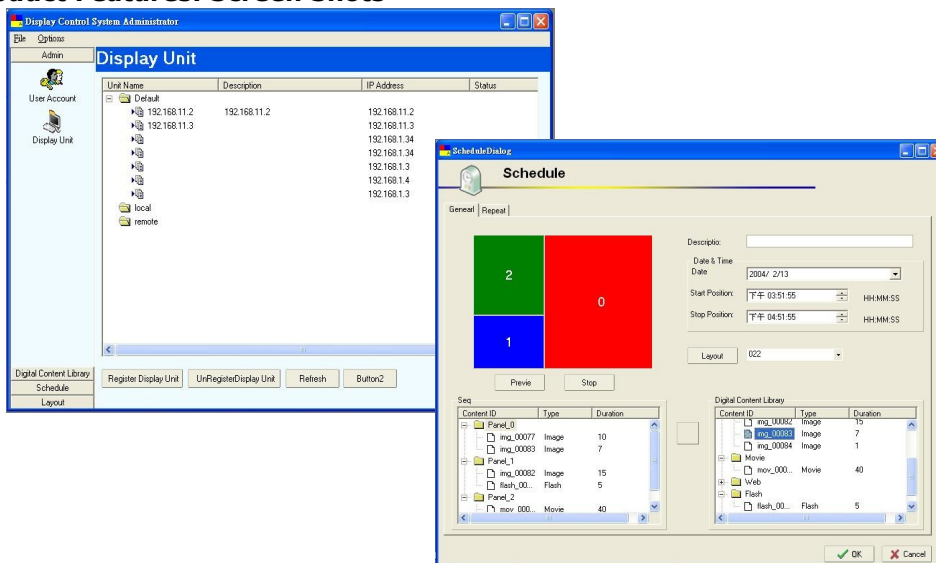
3GVisions DCMS supports various types of contents, such as Flash, MPEG4, AVI, QuickTime, TV channel, cable TV, Powerpoint, PDF, BMP, GIF, JPEG image, and Web Browser, etc. 3GVisions DCMS supports all these contents running on Plasma TVs, LCD displays, Video walls, VGA monitors and Projectors.

It can be applied at Banks, Airport, Cinema, Lobby, Transportation, Schools, Shopping Malls, Department Stores, Utilities, Club House, Chain Stores, Public Areas.... etc.



Designed Network Diagram

Product Features: Screen Shots





3GVisions Technology Ltd.

Display Side

- i. Multi Screen – by Wizard (coming soon) or client defined
- ii. Custom Made screen – PIP
- iii. Urgent Message Alert, SMS Posting

DCS Admin Program

- i. Centralized control all display clients/ Unit
- ii. Remote editing for display clients – add, delete, edit
- iii. Real-time and schedule update of display sequence to different client
- iv. Screen pattern control
- v. Individual sound control in each screen in display channel
- vi. Text effect control (Uncover to right, Roll from button, Fade to center, Dissolve, Open to horizontally....)
- vii. Color and graphic background (Fly in from left, Spiral inward clockwise....)
- viii. Graphic effect control
- ix. Text/clock on top
- x. Clock control
- xi. Urgent message broadcast
- xii. Click and drop function
- xiii. Wizard program
- xiv. Call up 3rd party program
- xv. schedule control
- xvi. Channel previewing
- xvii. sequence control
- xviii. Multi Grouping
- xix. Group power on/ off
- xx. Access Control - administration and user level
- xxi. Security Monitoring - log record
- xxii. Queuing System (Optional)
- xxiii. Attendance System (Optional)

Display units must be connected to at one PC workstations or MMDCS Box that there is a individual fixed IP address. Therefore contents can be sent to selective display units.

Various types of contents are supported, such as 3GPP, Streaming, Mpeg video, JPEG, GIF, website, text (i.e. banner adv), digital clock, ad-hoc text message, PowerPoint, Flash File, TV channel, HDTV or cable TV programs.

Sequence feature is to group a number of contents into groups or categories each with a sequence of play-list order, so that users can easily schedule multiple events. Schedule feature is to preset one or more events on specific date and time range. One event may contain one or more contents with a play-list sequence. One or more events can be easily uploaded to selective target clients through upload function.

Multi-Zone - 3GVisions Multi Media DCS is ABLE to split one single screen into multi-size channel (partitions). Each channel can show its own schedule of events, and display different types of contents simultaneously. And Emergency functions can enable for special announcement or urgent message at any time.

System Requirements:

Hardware

- i. Intel Pentium 4 or above
- ii. 512MB RAM+
- iii. VGA Display card 128MB RAM
- iv. TV capture card (for TV channel)
- v. 10/100 LAN card, Internet

Software

- Windows XP
- Windows 2K

Request for Demo: info@3gvisions.com or Call : +852-3422 3563